

Thunder WHEELS



ASSEMBLY MANUAL

Improper use, or lack of care, can lead to your Thunder Wheels deteriorating earlier than expected. Please follow all of these care instructions to ensure that your Thunder Wheels last for as long as possible.

WEATHER CARE



Remove your Thunder Wheels when not in use or during extreme weather. This will preserve their integrity for longer.

STORAGE

When not in use, store Thunder Wheels in a cool, dry place in the original packaging.

IMPORTANT NOTES

Metal care

- Do not overly tighten the bolts, as the weight of the trampoline may damage the components or make them difficult to unscrew.
- Be aware of areas that are particularly prone to rusting:
 - Weld lines,
 - Sections where different metal components join together,
- Use general-purpose grease on steel connection areas to reduce the chance of corrosion.
- Avoid excessively cleaning steel components, as this may reduce the effectiveness of our protective coatings.

Tyre care

- Avoid sharp objects that could puncture Thunder Wheels.

SAVE THESE INSTRUCTIONS IN CASE YOU HAVE TO CONTACT VULVY FOR REPLACEMENT PARTS.

Failure to follow these safety instructions may result in injury, property damage and voiding of your warranty.

SAFETY WARNINGS FOR INSTALLATION

- Attach the Thunder Wheels in accordance with these instructions only, and use only parts that are identified in this document.
- Carry the Thunder Wheels by the brace and wheel components with two hands. Avoid placing your fingers between moving metal parts.
- Ensure that all wheel bolts are secure through both holes in the rear and front before moving your Thunder trampoline.
- Spin and move your trampoline using 2 capable adults.

SAFETY WARNINGS FOR USE

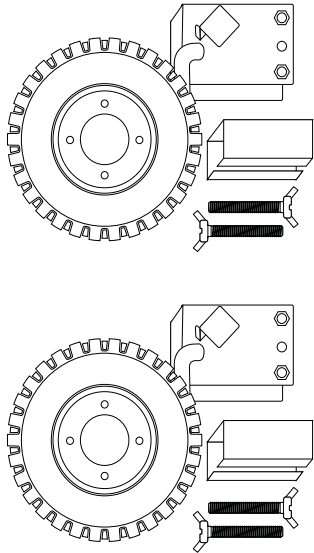
- Remove every Thunder Wheel before bouncing on your trampoline.
- Watch your fingers when operating the lever to raise and lower you Thunder Wheels. Ensure that your fingers do not touch the ground or become stuck between components.
- Do not use Thunder Wheels if components are bent, loose or rusted; replace any Thunder Wheel affected by these issues.
- Refrain from moving your Thunder trampoline in extreme weather.



STEP | 1

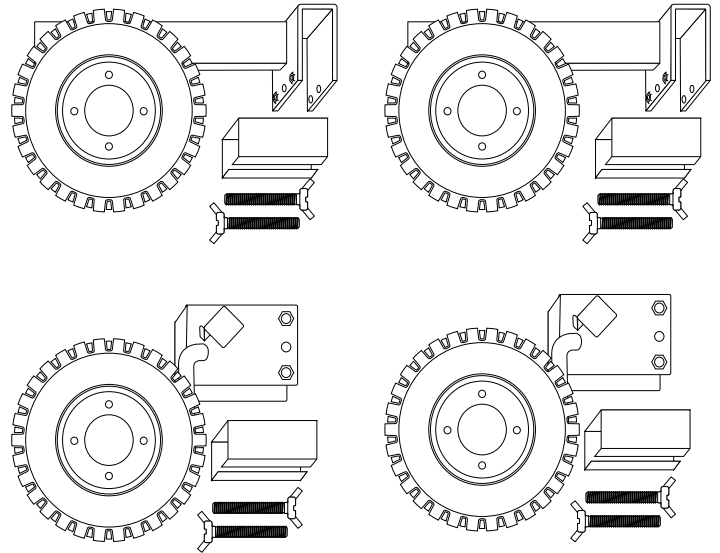
For Thunder M:

Remove your two (2) Thunder Wheels from Box 1.



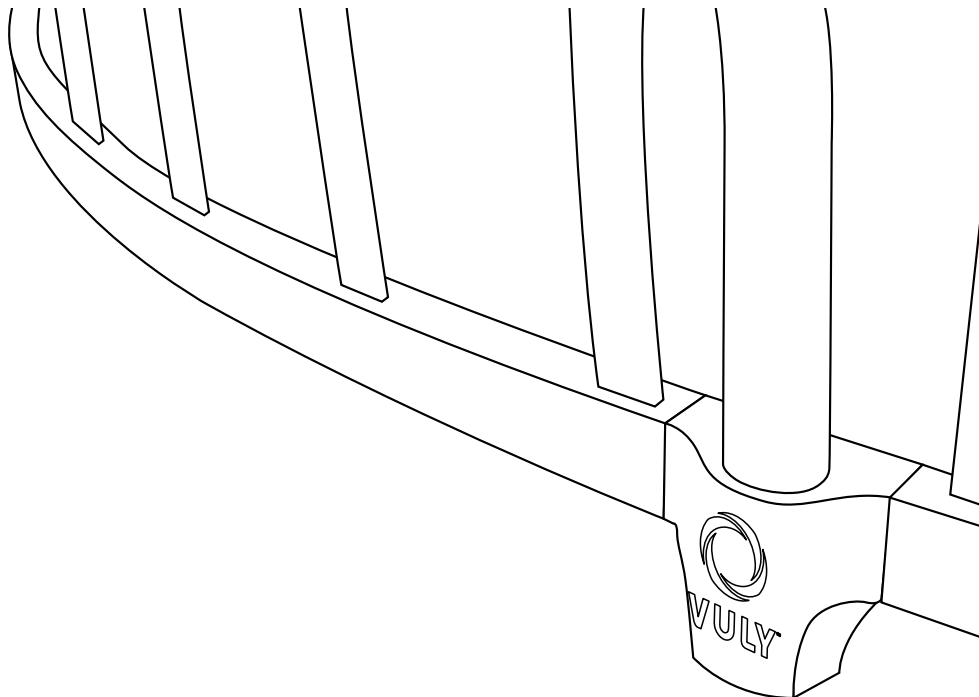
For Thunder L and XL:

Remove your four (4) Thunder Wheels from Box 1 and Box 2.



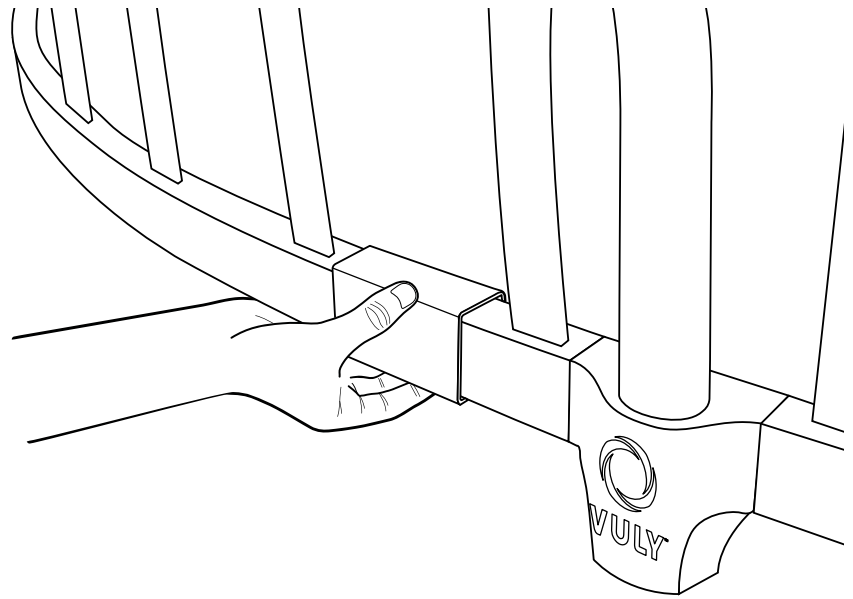
STEP | 2

Choose any net pole on your Thunder trampoline, and slip the plastic protector onto the left-hand side of this net pole at the bottom of your Thunder's frame.



STEP | 3

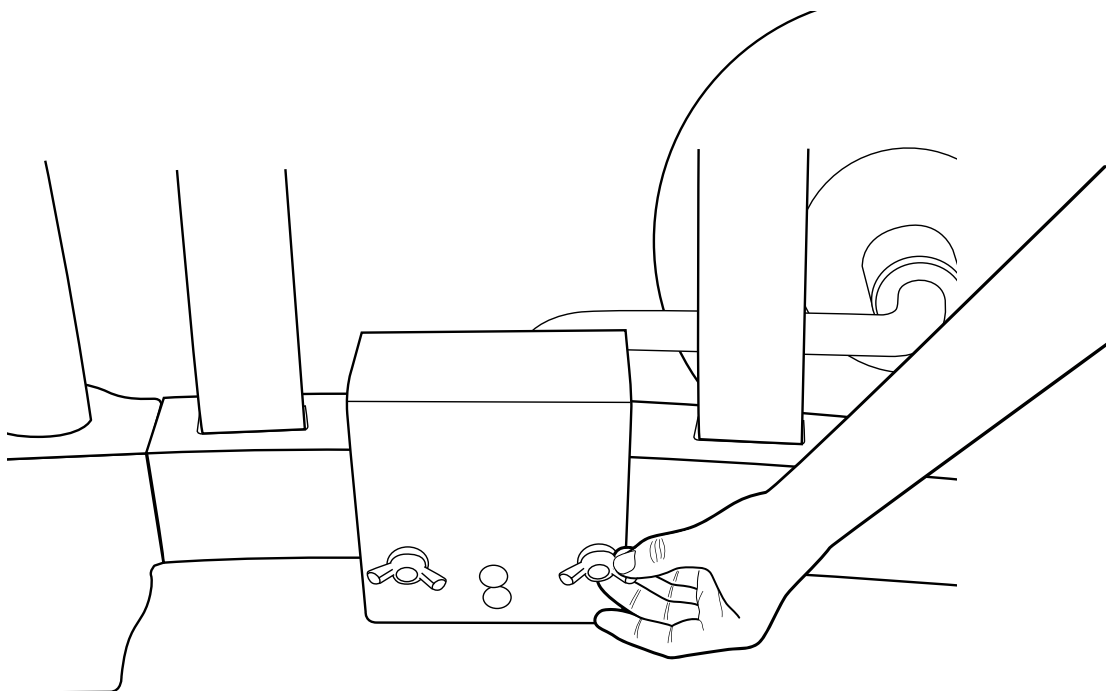
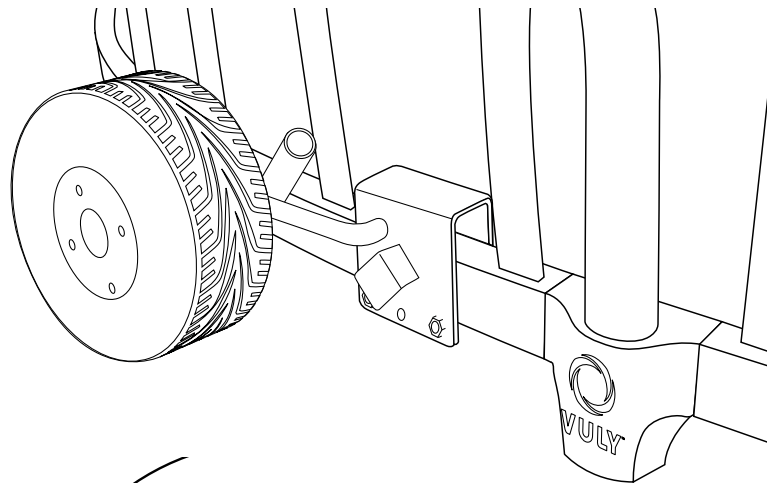
Slip a Box 1 Thunder Wheel's clamp over the plastic protector.



STEP | 4

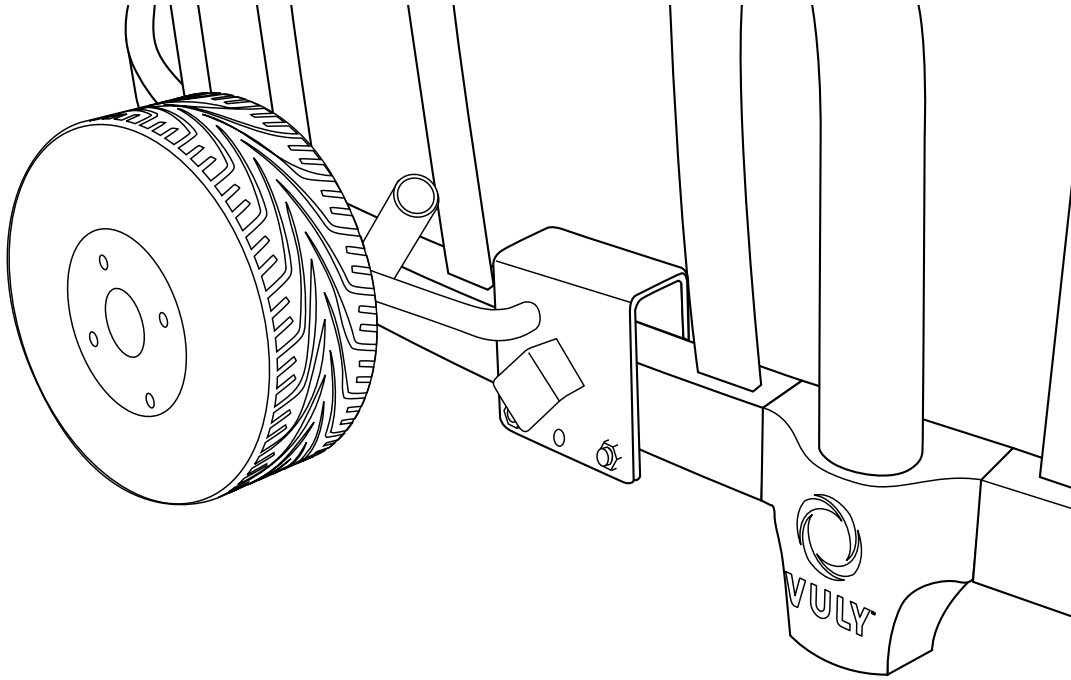
Insert the two bolts through the holes at the rear of the Thunder Wheel's clamp, and feed them through the second holes at the front. Turn the wing nuts until they are both secure.

Remember: You must not overly tighten the bolts; the weight of your moving trampoline will make them very difficult to unscrew if you do them up too tightly.



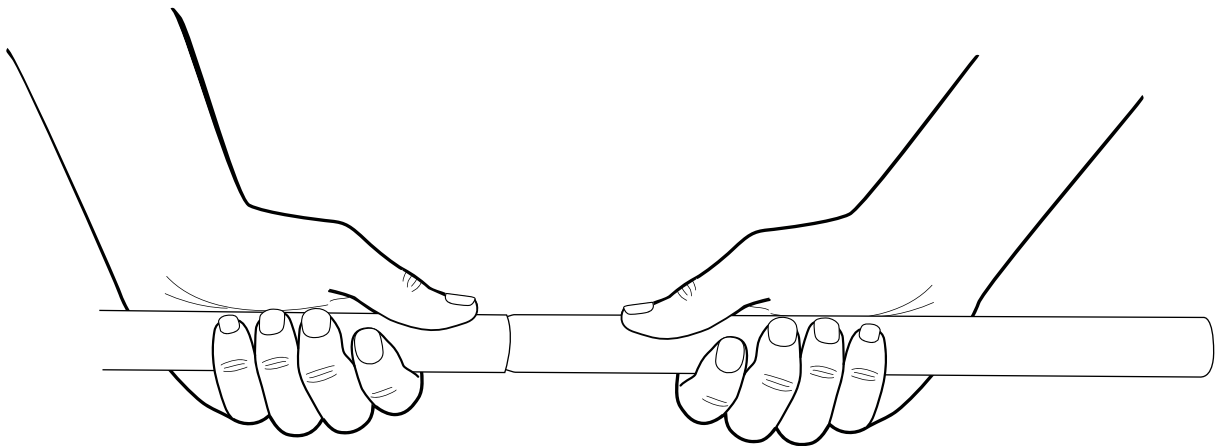
STEP | 5

Repeat Steps 2-4 to attach the second Thunder Wheel to the exact opposite net pole.



STEP | 6

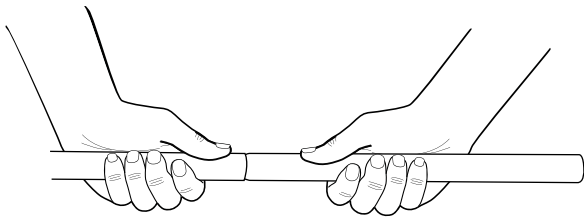
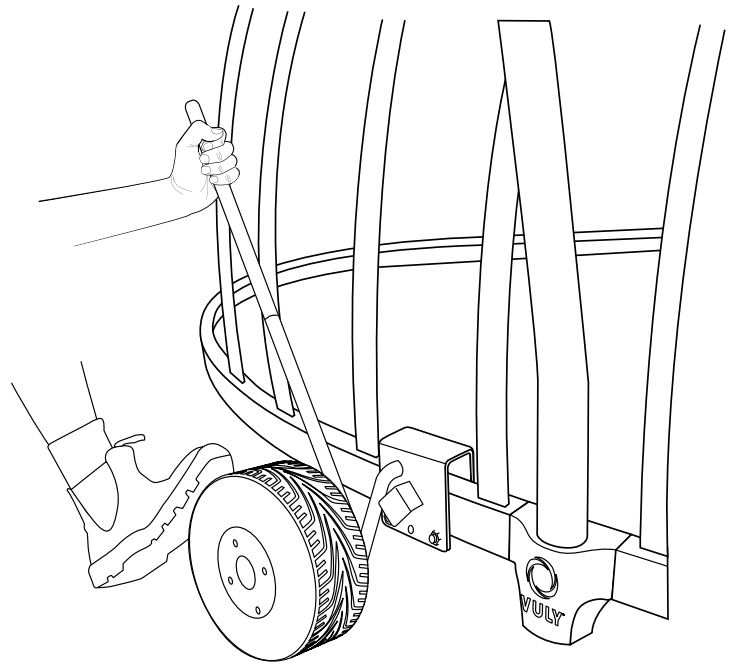
Take the two lever halves from your box. Insert the one with the cap into the one without, making sure that it is securely fitted.



STEP | 7

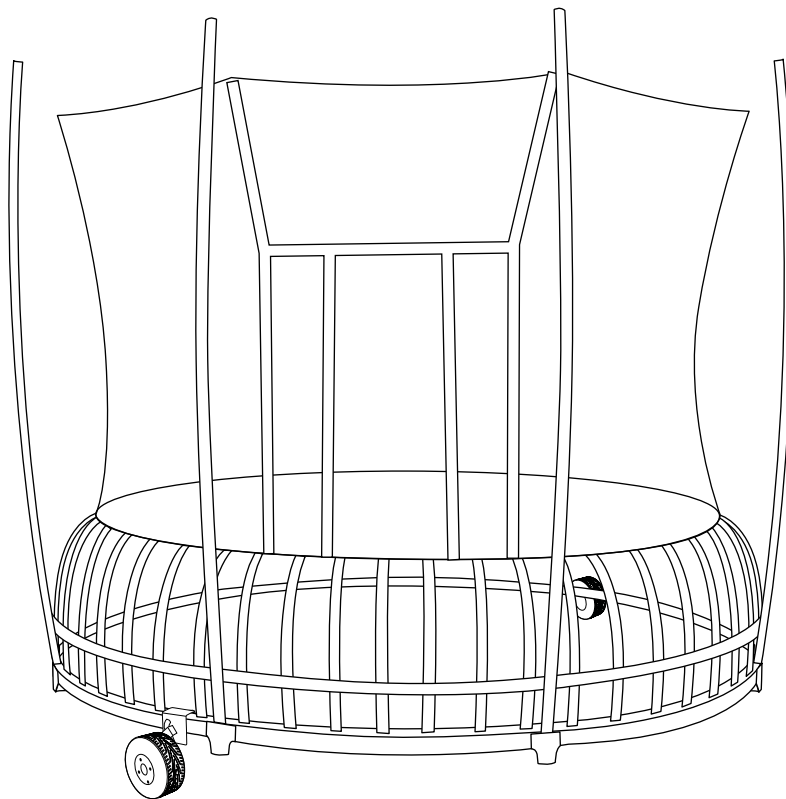
Insert the lever into the slot on your Thunder Wheel, and pull it backwards until the lever slot locks into the brace. Repeat for your other Box 1 Thunder Wheel.

Warning: Mind your fingers! Moving parts and heavy weight can cause injury.



CONGRATULATIONS!

You can now move your **Thunder M**.

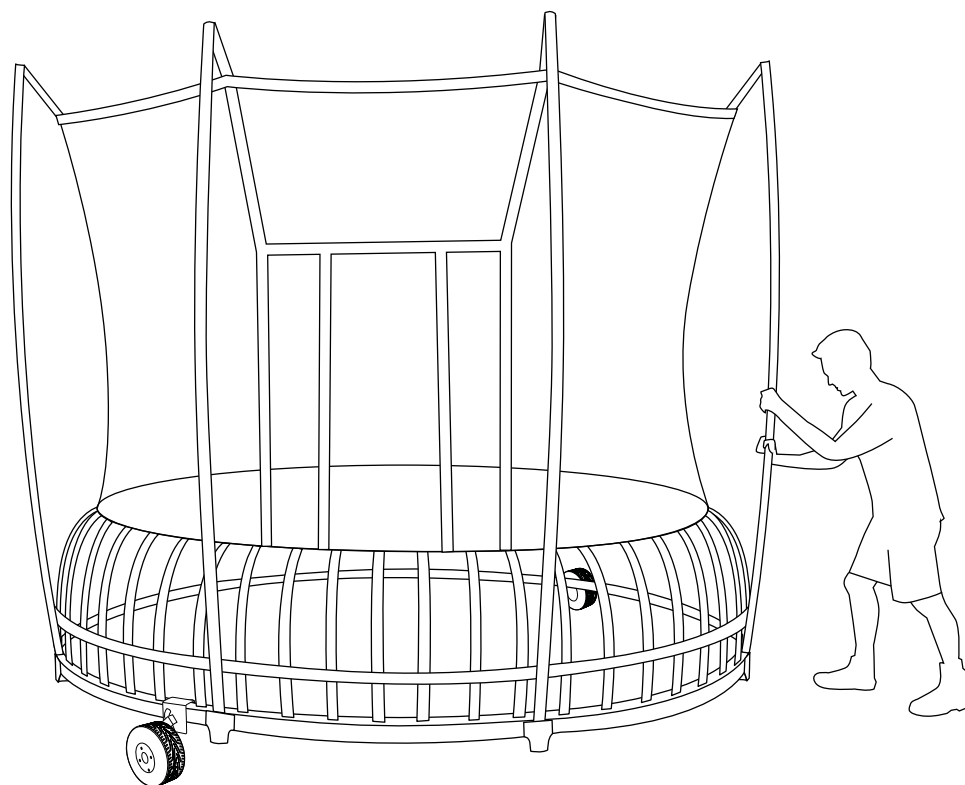


ADDITIONAL STEPS FOR **THUNDER L** AND **XL** ON NEXT PAGE

STEP | 8

Spin your trampoline around until the attached Box 1 Wheels face the direction that you want to move your Thunder. Return the Wheels to the ground.

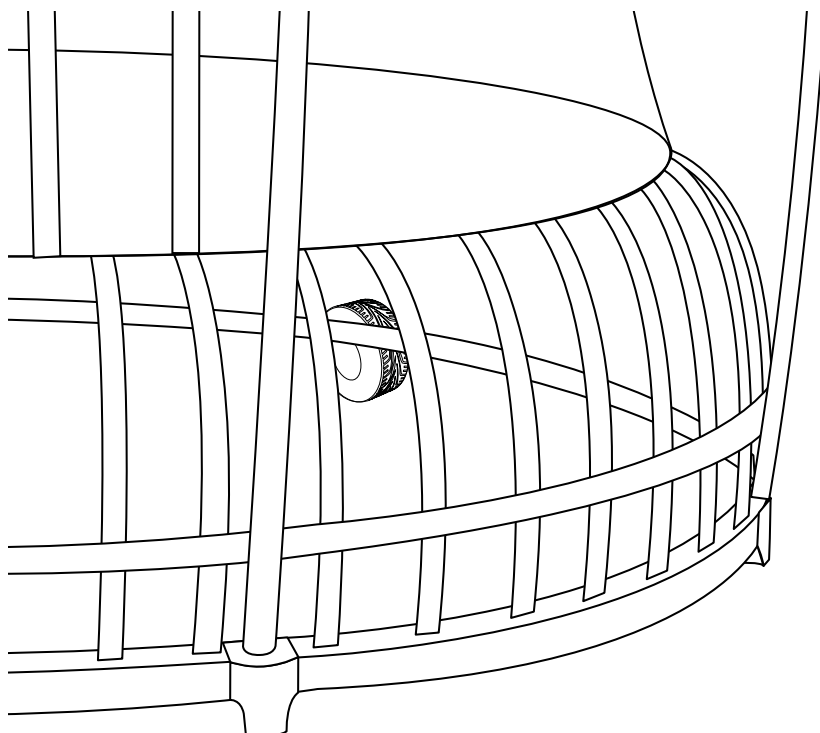
Remember: You will not be able to spin your trampoline once you have attached the Box 2 Wheels.



STEP | 9

Find one of the net poles between the already attached Wheels. Attach a Box 2 Thunder Wheel to the left of this net pole as per Steps 2-5. Repeat on the opposing side of your Thunder Summer to attach the final Wheel.

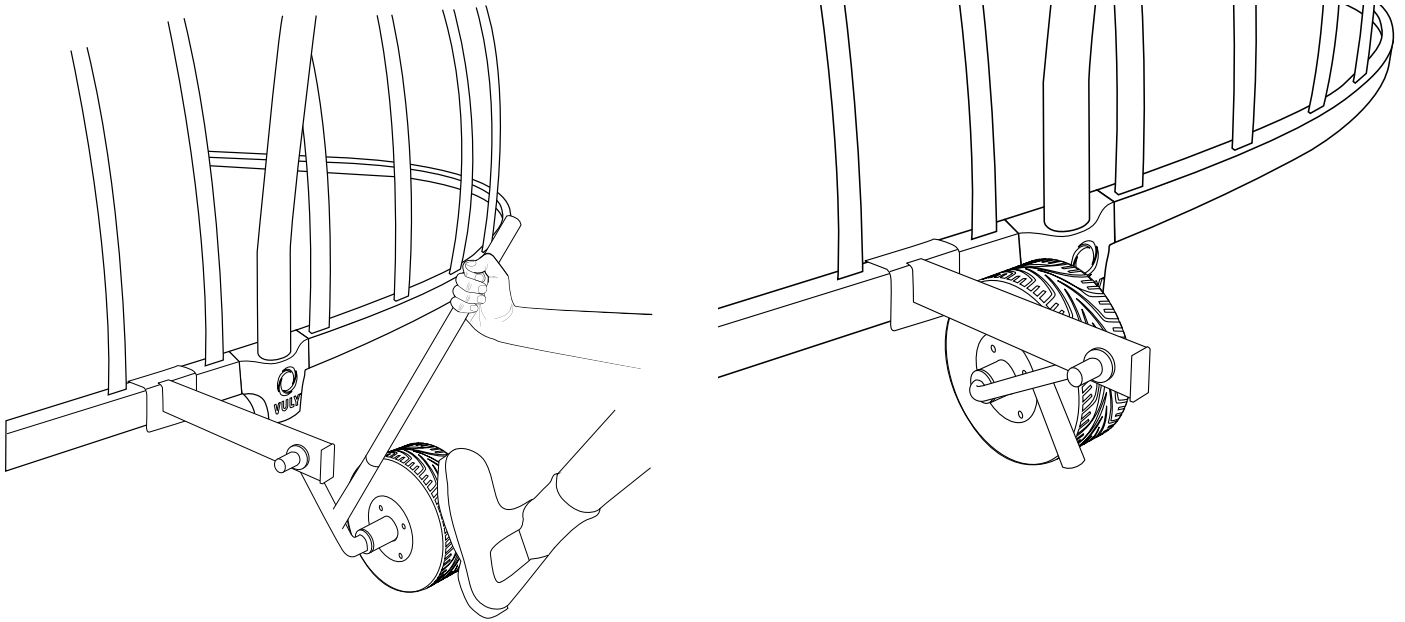
Remember: When you've attached the 4 Thunder Wheels, they should all face the same direction.



STEP | 10

Take only the lever half without the cap from your box, and insert it into the lever slot on an attached Box 2 Thunder Wheel. Pull it backwards until the lever slots lock into the brace. Repeat for the other attached Box 2 Thunder Wheel.

Warning: If you use the combined full lever to lift the Box 2 wheels, the lever will touch the ground. This has the potential to cause injury if your fingers become caught.

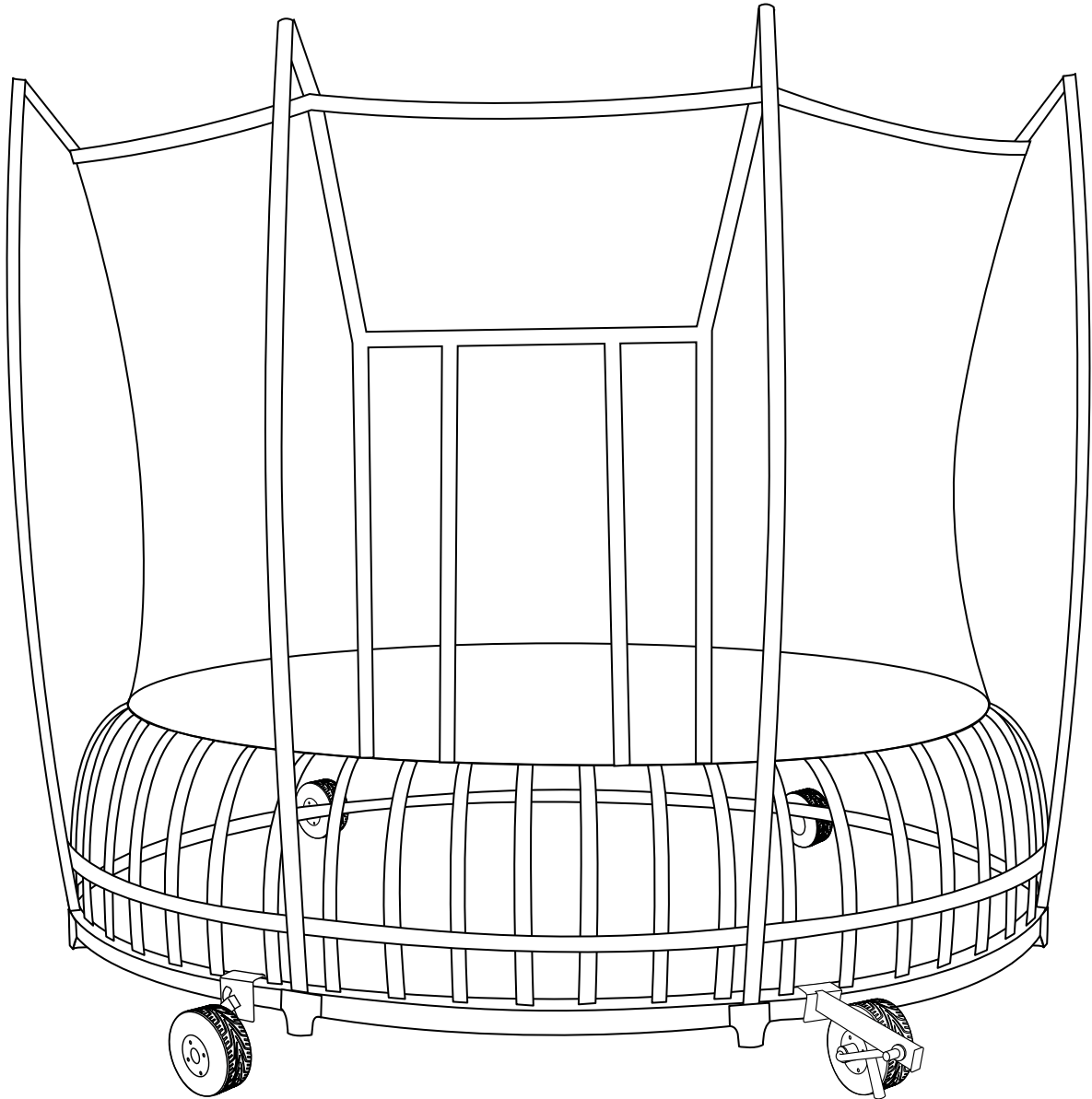


STEP | 11

Repeat **Steps 6** and **7** to raise the Box 1 Thunder Wheels.

CONGRATULATIONS!

You can now move your **Thunder L** or **XL**.



REMOVING THUNDER WHEELS

To remove the wheels, simply re-insert the lever, unlock the lever slot from the brace and return each Wheel to the ground. You may then unscrew the bolts and remove the Wheels.

Put
Linda



vulytrampolines.com