

 **VULY** | Leveller



ASSEMBLY MANUAL



Leveller assembly for Lift, Lift Pro and Thunder

PAGE 3



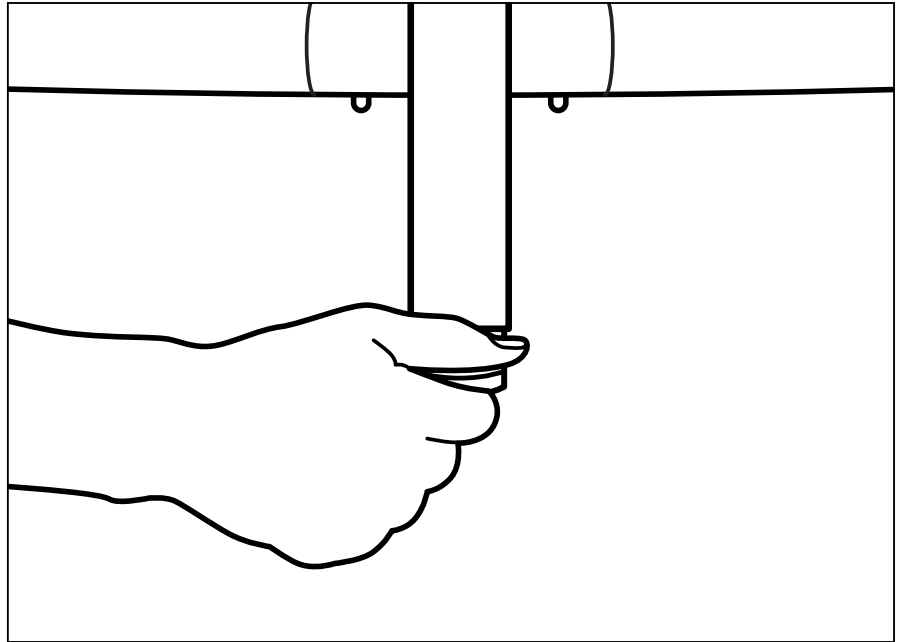
Leveller assembly for Thunder Pro

PAGE 6

LEVELLER ASSEMBLY FOR LIFT LIFT PRO AND THUNDER

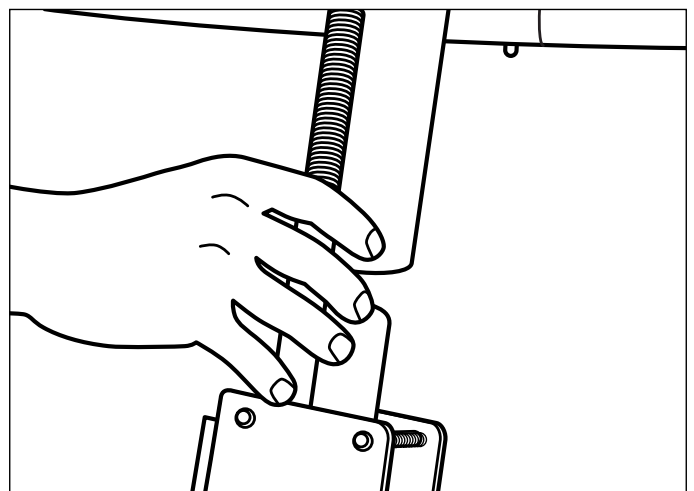
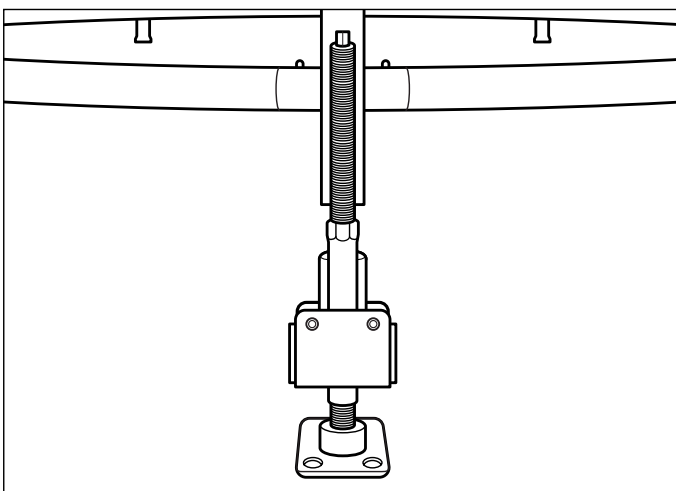
STEP | 1

Check which legs of your assembled trampoline are off the ground. Remove the feet caps from these trampoline legs.



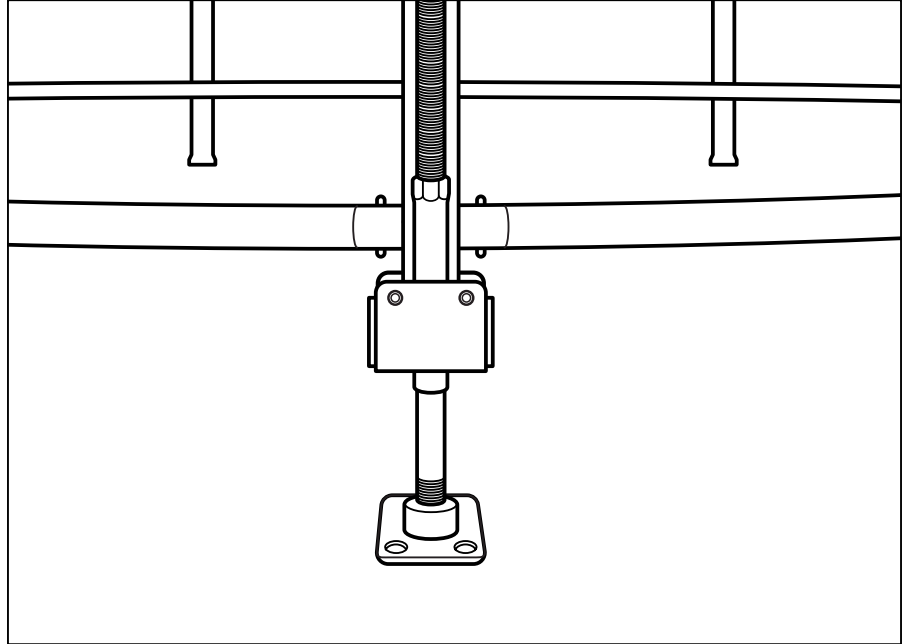
STEP | 2

Place a Leveller leg in front of one of these trampoline legs. Ensure that the main jack is facing towards you. Insert the tube behind the jack into the trampoline leg.



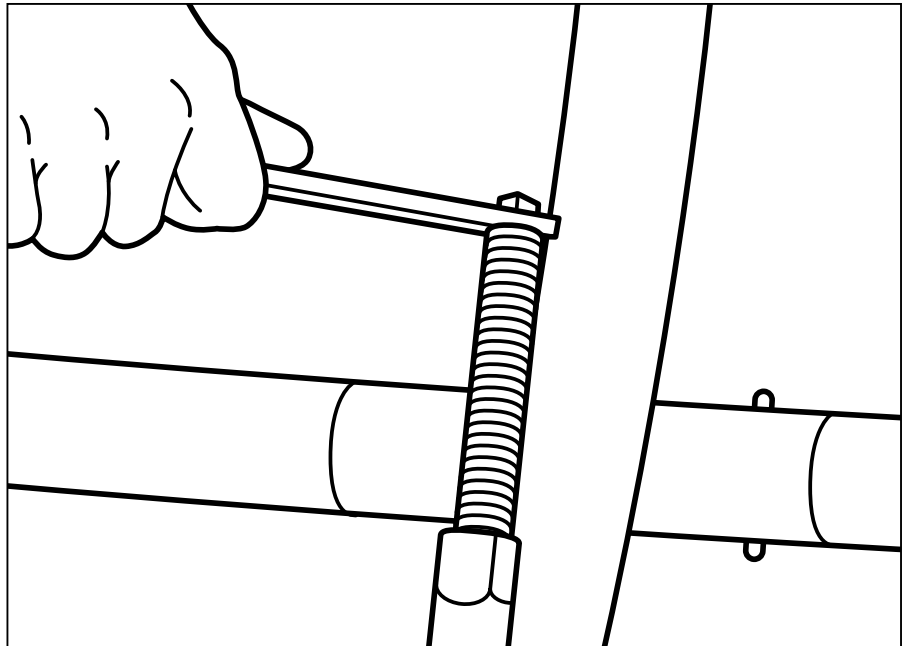
STEP | 3

Twist the jack until the stabilising plate touches the ground. Rotate the stabilising plate until the end with two holes is facing towards you.



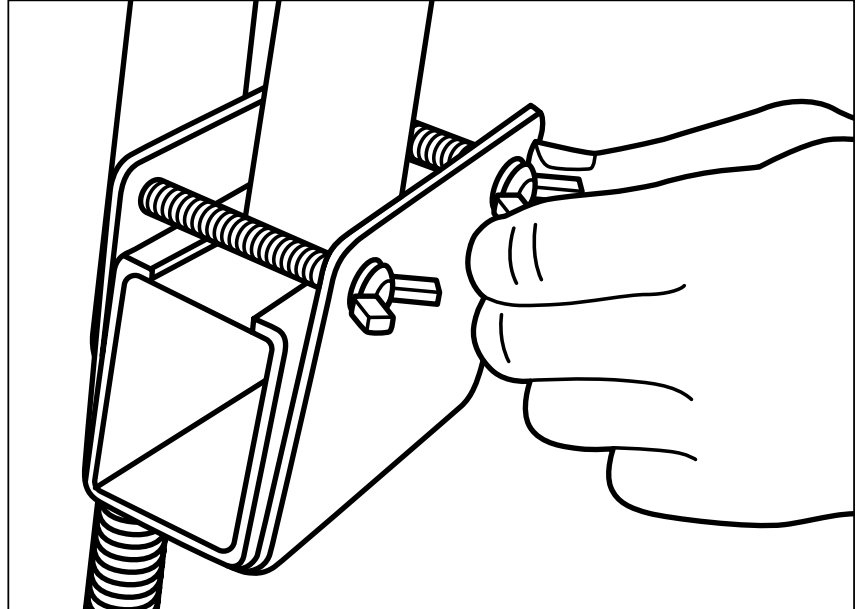
STEP | 4

Take the tightening key, and insert it over the top end of the jack. Turn the key to tighten the jack until that leg is securely on the ground.



STEP | 5

Ensure that the wing-nuts on the locking plate are also tight.



STEP | 6

Go around your trampoline to any legs that remain off the ground. Insert and tighten Leveller legs until your entire trampoline is stable.

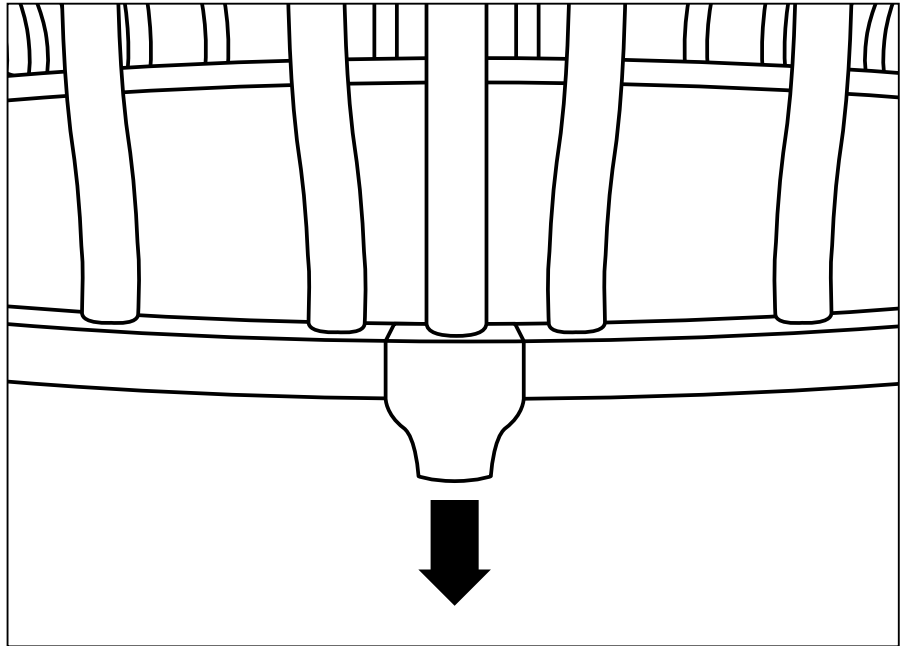
CONGRATULATIONS!

You have finished assembling your Vuly Leveller.

LEVELLER ASSEMBLY FOR THUNDER PRO

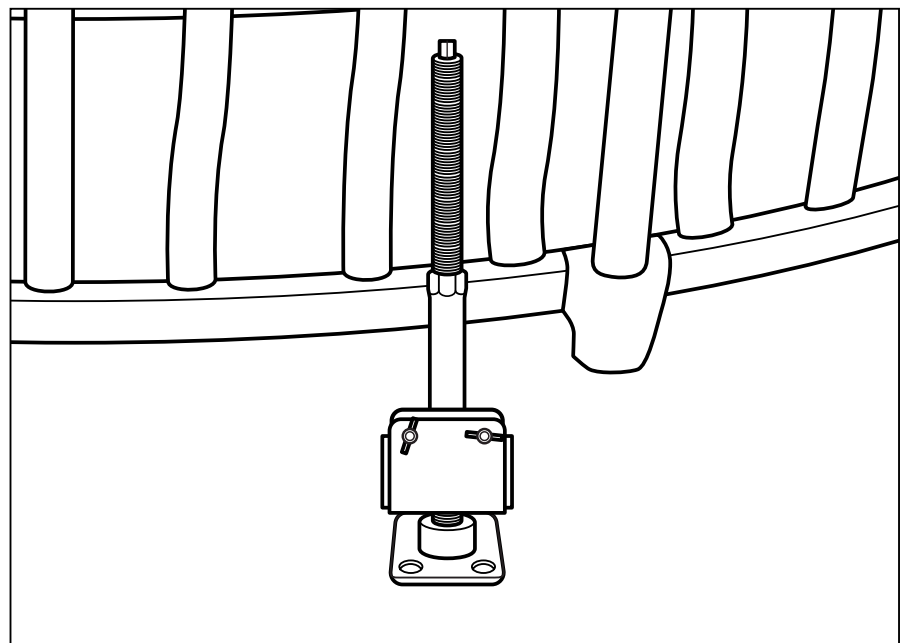
STEP | 1

Check which legs of your assembled trampoline are off the ground.



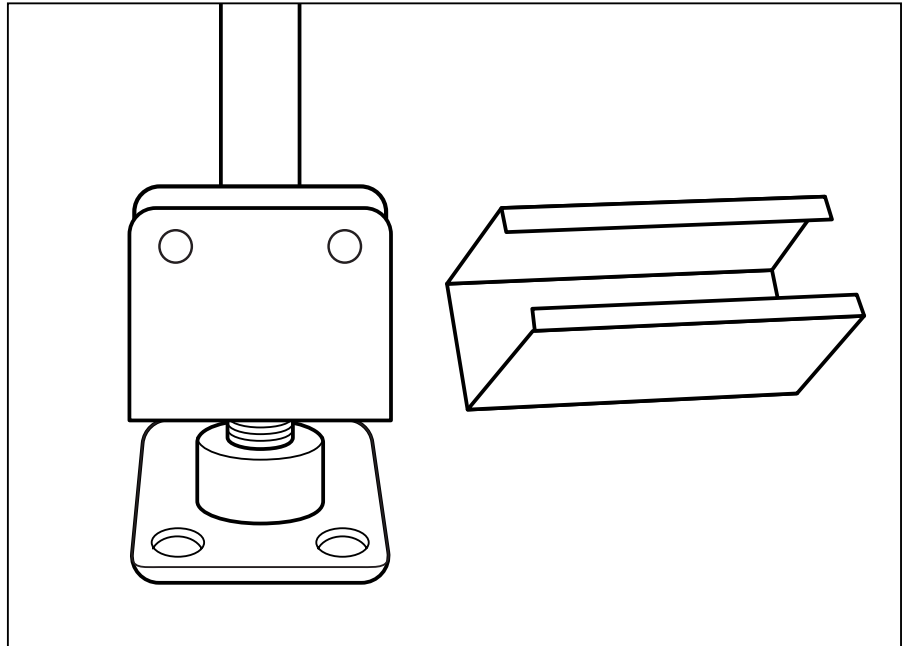
STEP | 2

Place a Leveller leg between the two Leaf Springs that are to the left of one of these trampoline legs. Ensure that the wing-nuts and locking plate are facing towards you.



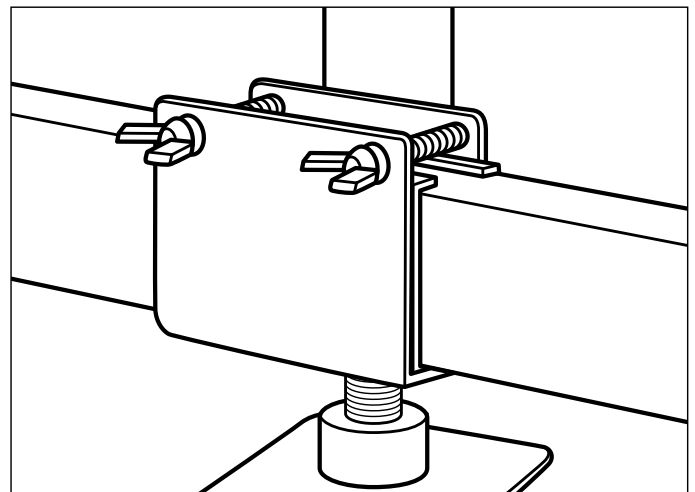
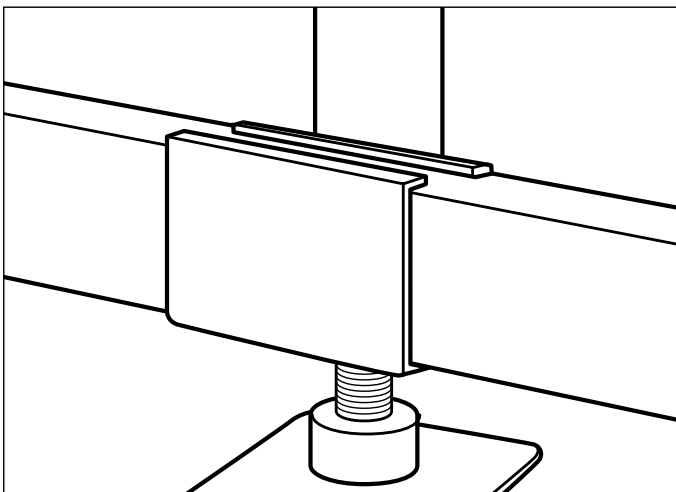
STEP | 3

Remove the wing-nuts and plastic protector. Slip the plastic protector under the Lower Frame Tube between the two Leaf Springs.



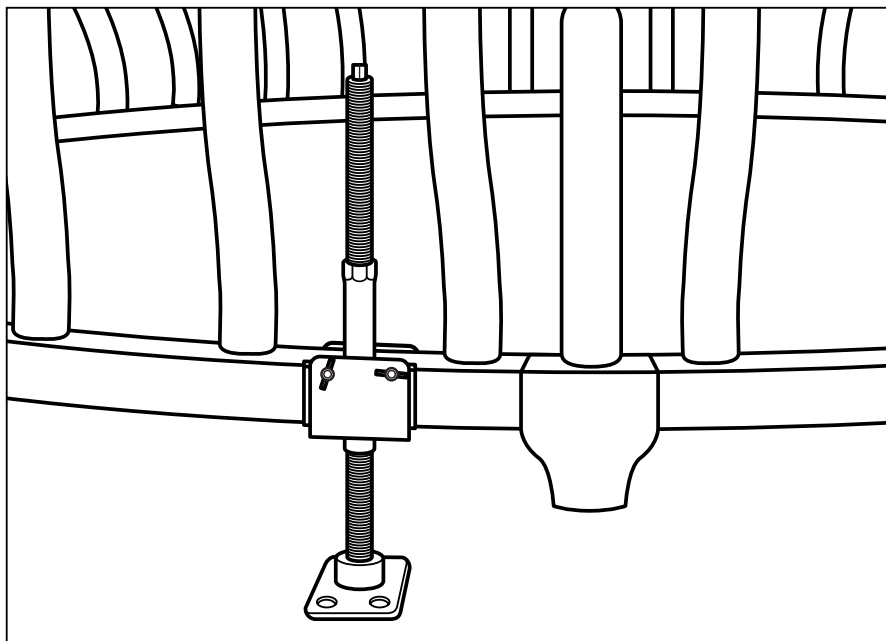
STEP | 4

Attach the locking plate to the Lower Frame Tube, and hold it up as you re-insert the wing-nuts through the front and back of the locking plate. Tighten them to secure the locking plate to the Lower Frame Tube.



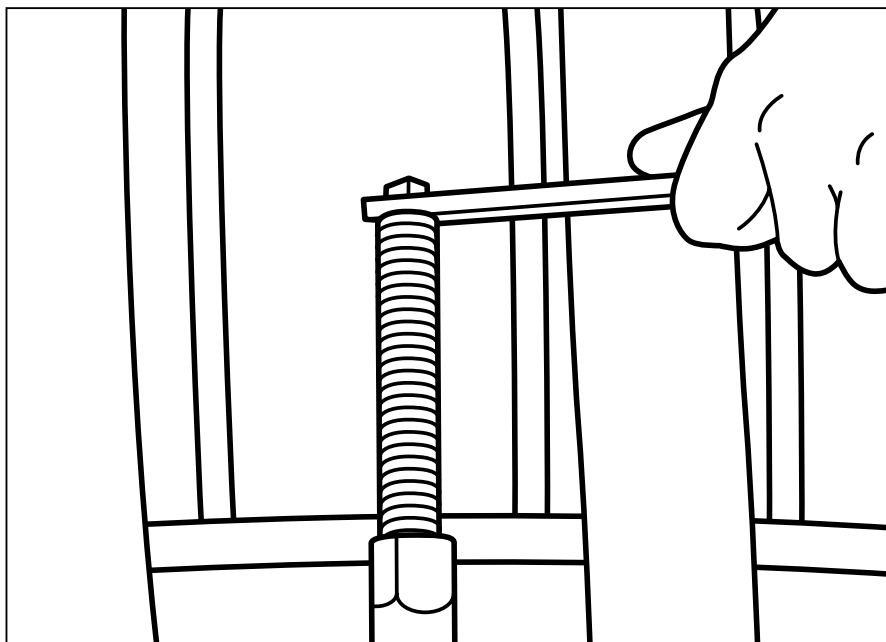
STEP | 5

Twist the jack until the stabilising plate touches the ground. Rotate the stabilising plate until the end with two holes is facing towards you.



STEP | 6

Take the tightening key, and insert it over the top end of the jack. Turn the key to tighten the jack until that leg is securely on the ground.



STEP | 7

Go around your trampoline to any legs that remain off the ground. Insert and tighten Leveler legs to the left of each until your entire trampoline is stable.

CONGRATULATIONS!

You have finished assembling your Vuly Leveller.





vulyplay.com